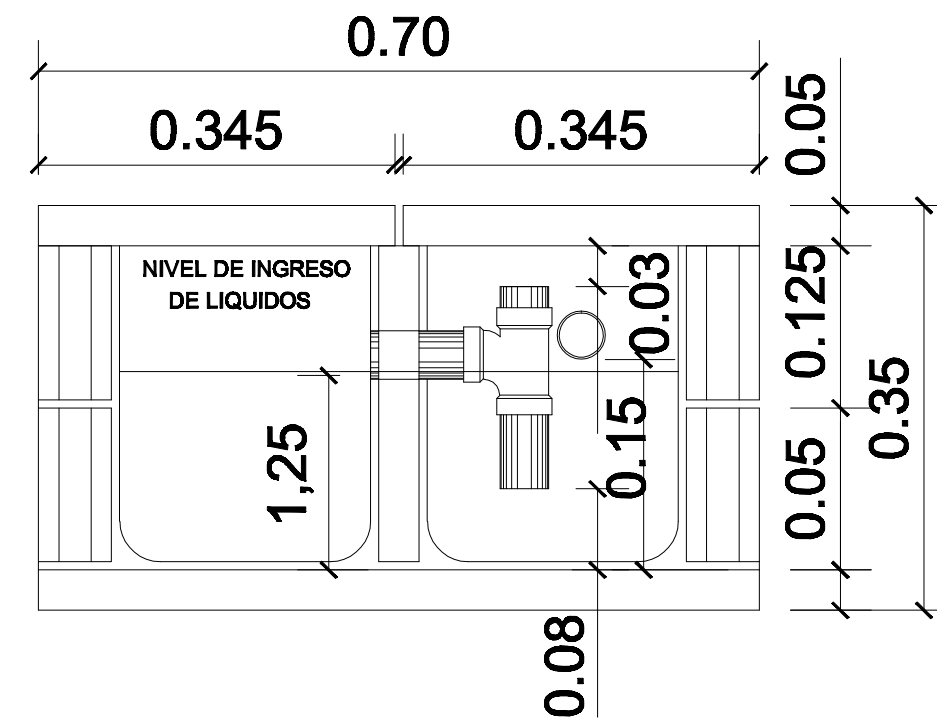




ESC. 1/10



ESC. 1/10

 	PROJECT:	WASHING STATIONS	VoBo.	
	DESIGN:	MDI. OVIDIO MORALES	REVIEW:	
	PLAN:	PERMANENT CIRCUITS WITH MASORY WALLS	DATE:	15/10/2014
			SCALE:	1/175
			LEAF No.:	5